



Activity Packet



**Nudi
Girl**

**Poison Powerhouse
of the Sea**



Bonnie Kelso

Nudi
Gill

Swim to Gill



Nudi Gilr



Word Search

U H M R L E L B B U B U G I F
X H A O W A V E G L O W I D I
R E S T Y R E A T L E V L O S
C H K F D P S N O R K E L H H
L R I I K N G S E A S N A I L
A J A N N U D I B R A N C H B
M V S I O W P J E P I S H G J
N N E J N P U B G F O M V U K
C A L A N B H Y Z U L I R L A
H U G G F L O O D G A Z S S O
O T G K L D I W R D R J M O S
W I O Y O R B H A E O U A V N
D L G I A O N E G F C G I E T
E U M I T E G G R I B B O N C
R S P Z P O W E R H O U S E H

nudibranch
nautilus
snorkel
clam
poison

float
coral
gill
mask
fin

rhinophore
powerhouse
egg ribbon
sea snail
rainbow



Try to find the 9 bonus words, too!

Nudi Gill

Whoa!
What are you?

Nudibranch Parts

What are the different body parts of a nudibranch? What purpose does each part serve?





Many Mighty Mollusks!



Try saying that real fast three times!

I had a shell when I hatched, but I lost it. I prefer to be... **NAKED!**

Cut out the animals and match them with their class.

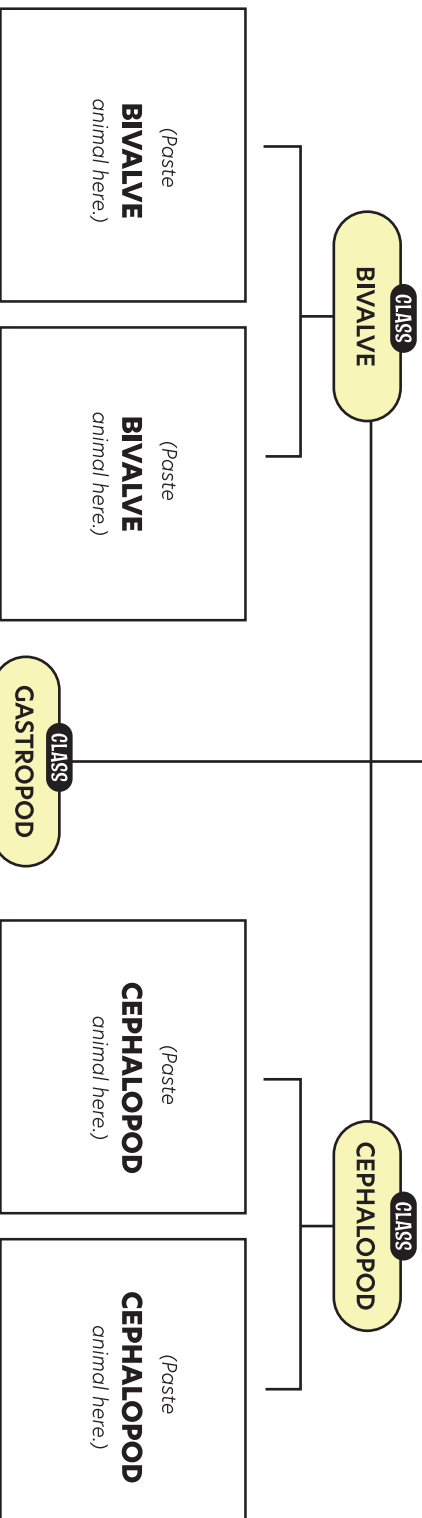
What is a mollusk?

Mollusks are a large group of animals that have a common set of body features. Snails, slugs, nautiluses, and clams are all mollusks.

A mollusk is an invertebrate. This means it doesn't have a spine like we do.

Mollusks have soft bodies. They often grow shells to protect themselves.

A cephalopod has 8 - 90 arms or tentacles.



A bivalve's shell is composed of two parts.

There are over 100,000 species of mollusks!

A gastropod has a distinct head with sensory organs.

Some gastropods live on land. Cephalopods live only in water.



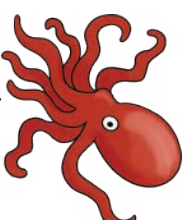
clam



nudibranch



nautilus



octopus



oyster



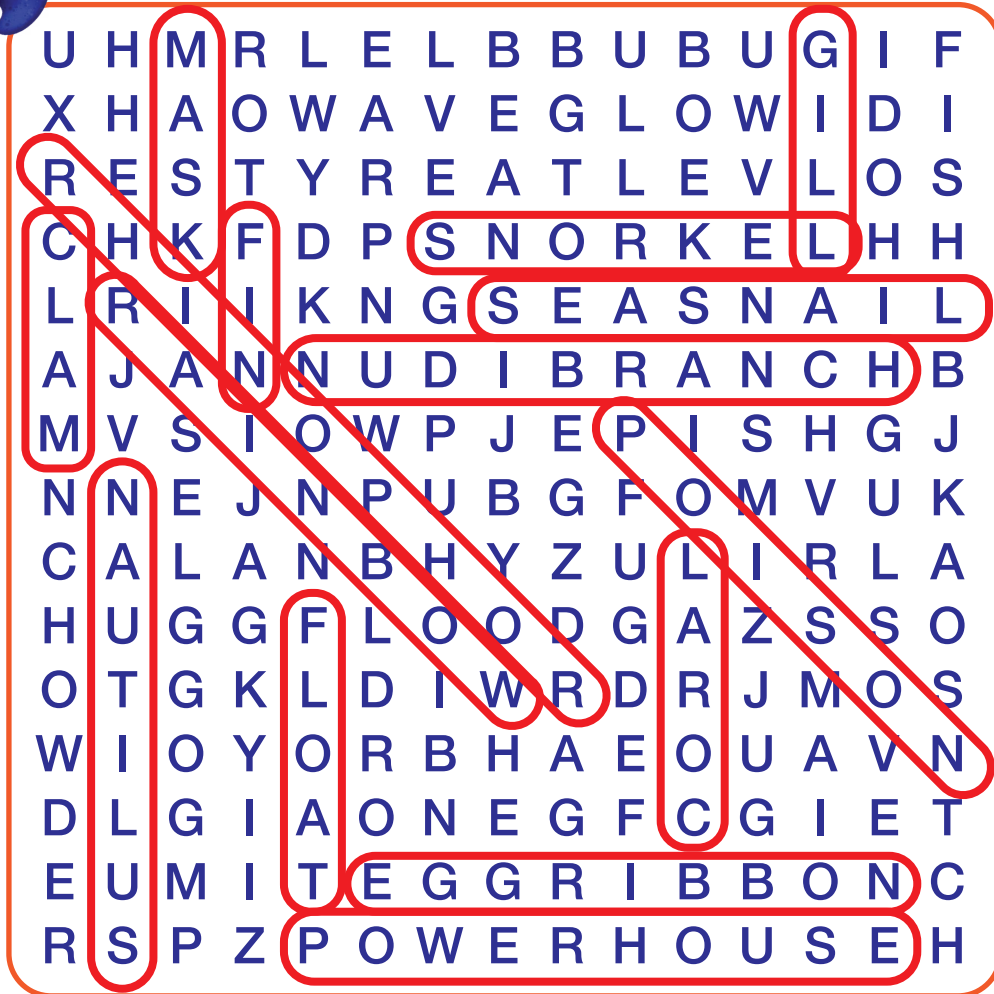
sea snail

Nudi Gilr

ANSWER
KEY



Word Search



nudibranch
nautilus
snorkel
clam
poison

float
coral
gill
mask
fin

rhinophore
powerhouse
egg ribbon
sea snail
rainbow



Try to find the 9 bonus words, too!



Nudi Gilr

BONUS
KEY



Word Search

U H M R L E L B B U B U G I F
X H A O W A V E G L O W I D I
R E S T Y R E A T L E V L O S
C H K F D P S N O R K E L H H
L R I I K N G S E A S N A I L
A J A N N U D I B R A N C H B
M V S I O W P J E P I S H G J
N N E J N P U B G F O M V U K
C A L A N B H Y Z U L I R L A
H U G G F L O O D G A Z S S O
O T G K L D I W R D R J M O S
W I O Y O R B H A E O U A V N
D L G I A O N E G F C G I E T
E U M I T E G G R I B B O N C
R S P Z P O W E R H O U S E H

nudibranch
nautilus
snorkel
clam
poison

float
coral
gill
mask
fin

rhinophore
powerhouse
egg ribbon
sea snail
rainbow



Try to find the 9 bonus words, too!